

# CiRo

## Small

Tool changers | **Swivels** | Swivel tool changers | Grippers | Hose packages | Valve units | Tool systems



### Advantages

- Up to  $\pm 250^\circ$  rotation
- Cables and hoses can be selected freely to suit any application
- Extended hose package lifetime
- Quick and easy installation
- High reliability
- Enables offline programming

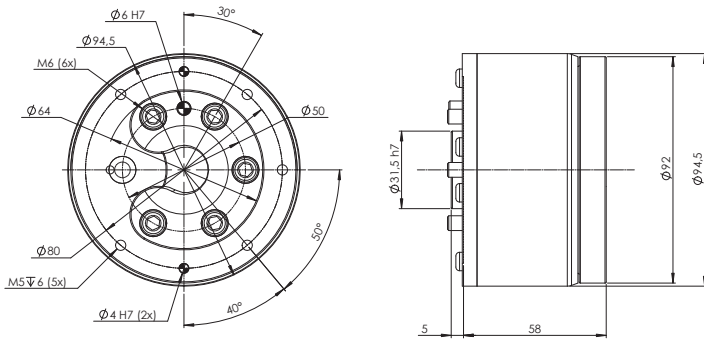
### Description

CiRo is a cost-effective solution to achieve the flexibility of internal cabling. Compressed air, signals and power will be directly available at the tool or tool changer. Hoses and cables for air, signals and power can be selected according to the requirements of the application. Axis 6 can rotate with extended freedom.

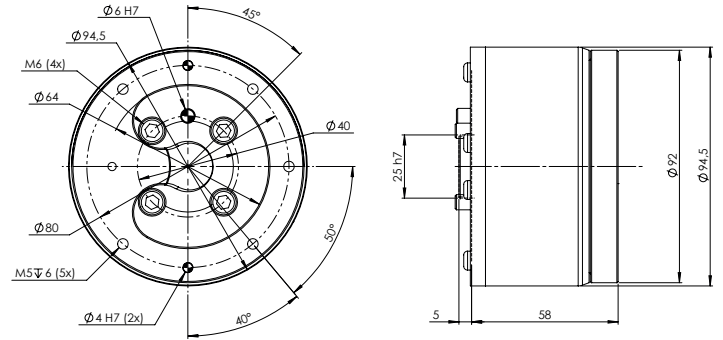
### Technical data

Article	Part No	Handling capacity (kg)	Mechanical Interface	Hose capacity (mm)	Weight (kg)	Mz (Dynamic)	Mx/My (Dynamic)
CiRo 50-6-M6	P5131	10	ISO 9409-1 50-6-M6	7x Ø6	1.2	$\pm 100$ Nm	$\pm 100$ Nm
CiRo 40-4-M6	P5132	10	ISO 9409-1 40-4-M6	7x Ø6	1.2	$\pm 100$ Nm	$\pm 100$ Nm
CiRo 50-7-M6	P5133	10	ISO 9409-1 50-7-M6	7x Ø6	1.2	$\pm 100$ Nm	$\pm 100$ Nm

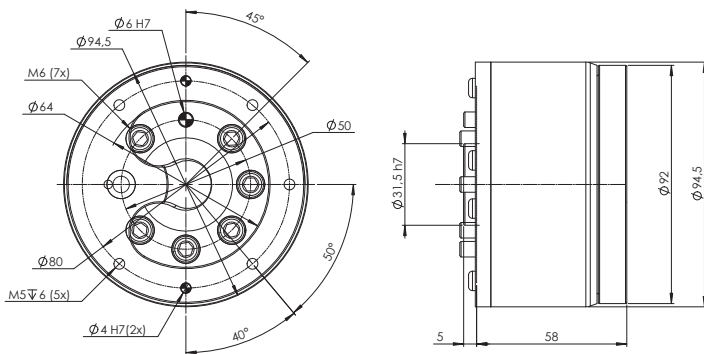
CiRo 50-6-M6



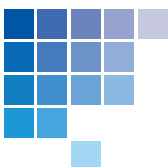
CiRo 40-4-M6



CiRo 50-7-M6



B5001-1\_1



Robot System Products is a global leader in high-performance industrial robot peripheral products. Our expertise is to provide tested and field proven robotic system solutions that improve robot flexibility, utilization and uptime.

Visit us at [www.rsp.eu.com](http://www.rsp.eu.com)

