

CiRo

Medium

Tool changers | **Swivels** | Swivel tool changers | Grippers | Hose packages | Valve units | Tool systems



Advantages

- Up to $\pm 250^\circ$ rotation
- Cables and hoses can be selected freely to suit any application
- Extended hose package lifetime
- Quick and easy installation
- High reliability
- Enables offline programming

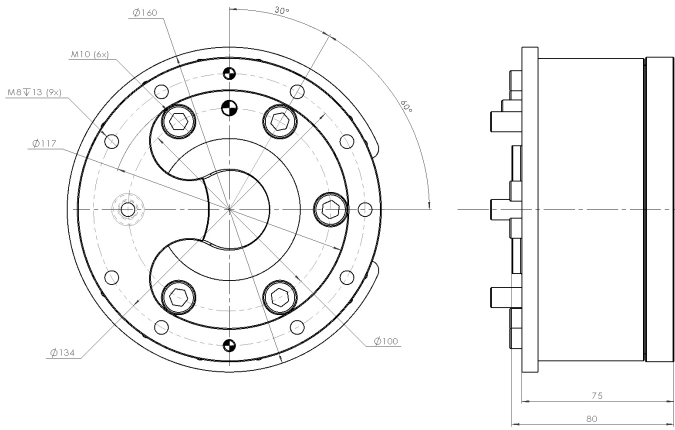
Description

CiRo is a cost-effective solution to achieve the flexibility of internal cabling. Compressed air, signals and power will be directly available at the tool or tool changer. Hoses and cables for air, signals and power can be selected according to the requirements of the application. Axis 6 can rotate with extended freedom.

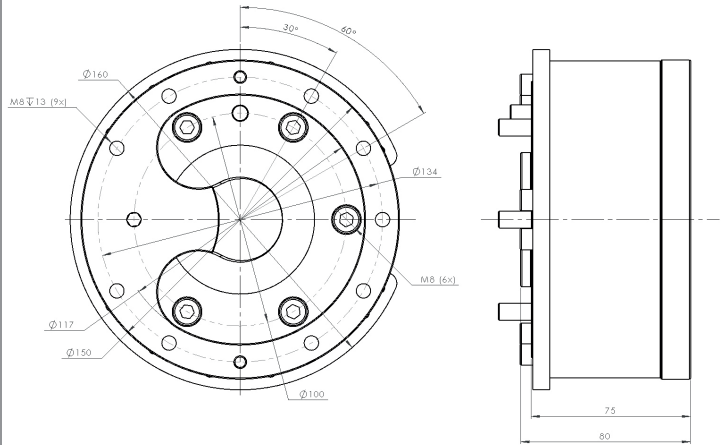
Technical data

Article	Part No	Handling capacity (kg)	Mechanical Interface	Hose capacity (mm)	Weight (kg)	Mz (Dynamic)	Mx/My (Dynamic)
CiRo 100-6-M10	P5121	40	ISO 9409-1 100-6-M10	9x Ø8	3.8	± 400 Nm	± 400 Nm
CiRo 100-6-M8	P5122	40	ISO 9409-1 100-6-M8	9x Ø8	3.8	± 400 Nm	± 400 Nm
CiRo 80-6-M8	P5124	40	ISO 9409-1 80-6-M8	9x Ø8	3.8	± 400 Nm	± 400 Nm

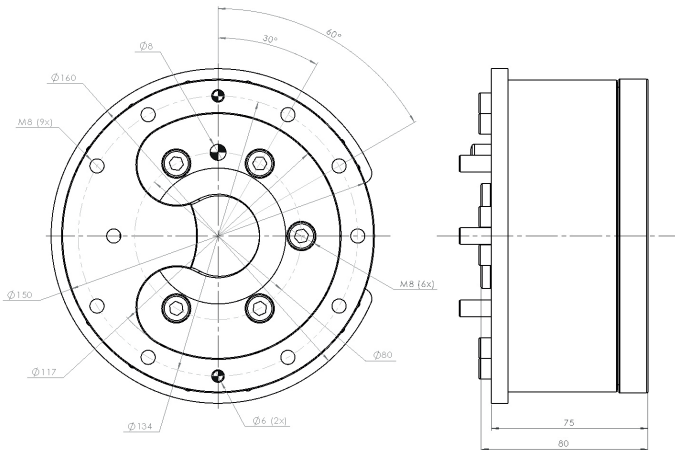
CiRo 100-6-M10



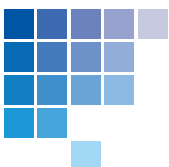
CiRo 100-6-M8



CiRo 80-6-M8



B5002-1_1



Robot System Products is a global leader in high-performance industrial robot peripheral products. Our expertise is to provide tested and field proven robotic system solutions that improve robot flexibility, utilization and uptime.

Visit us at www.rsp.eu.com

